

# MTL-110 MANUAL TESTER

# Starrett®

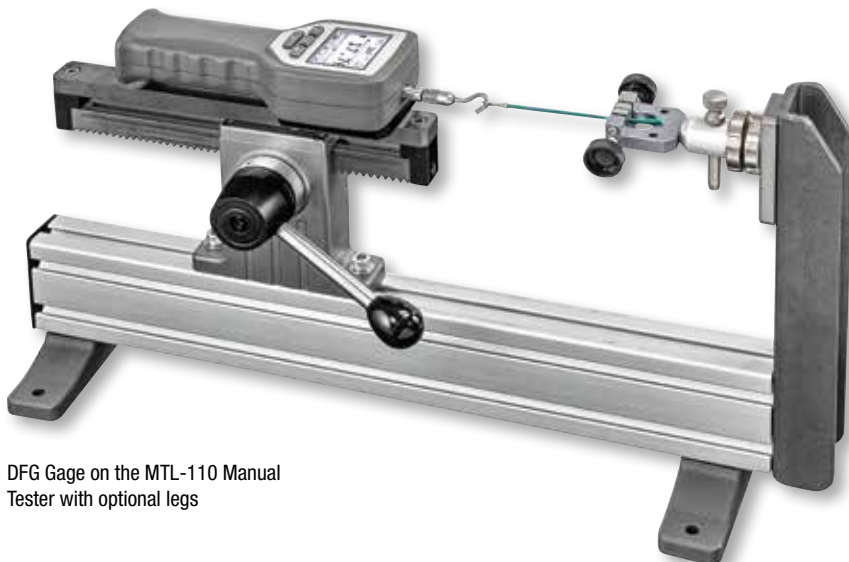
## METROLOGY SOLUTIONS

The MTL-110 can measure force up to 110lbf (500N, 50kgf). This tester is ideal for component testing and its compact design fits small work spaces. The MTL-110 has a 6" (152mm) stroke. The tester's quick-action lever moves the rack and pinion crosshead 3" (76mm) per revolution. The lever may be positioned anywhere along the 20" (508mm) column, and with a 6" (152mm) throat, large samples can be accurately tested. Options include a digital scale for measuring deflection distance. The base adapter adjusts to accommodate different gage models.

The MTL may be equipped with optional legs so that you can test in a horizontal position.

### FEATURES

- Compact Design is Ideal for Lean Manufacturing Environments
- Lever-type, Quick-action Crosshead Movement
- Precision Rack and Pinion
- Excellent Position Resolution: Single Rotation for 3" (76mm)
- Adjustable Gage Mounting



DFG Gage on the MTL-110 Manual Tester with optional legs



DFG Gage on the MTL-110 Manual Tester

# MTL-110 MANUAL TESTER



## METROLOGY SOLUTIONS

### MTH - Manual Force Tester, Hand Wheel Control

Model Number	Load Capacity			Crosshead Travel		Resolution/Rotation		Throat		Weight		Thread
	N	KGF	LBF	in	mm	in	mm	in	mm	lbs	kgs	mm
MTL-110	500	50	110	6	152	3	76	6	152	18	8.2	M6, #10-32

### Optional Accessories

Order Number	Description
MLX-PLATE-TA-50	Compression Plate, Aluminum, 50mm diameter
MLX-HOOK-M	Hook Adapter, 330 lbf Load Capacity
SPK-CLEVIS-A	Clevis Set, Aluminum, 50lbf
SPK-CLEVIS-S	Clevis Set, Stainless Steel, 330lbf
MTL-SCALE	Digital Scale Assembly, MTL Series
MLX-10648	Mounting Legs, for horizontal testing
L1-Spanner	Spanner Wrench for Clevis Sets
MLX-PIN-A	Grip Pin, Aluminum

### Force Gage Adapter Kits

Order Number	Description
SPK-FG-CHAT	Mounting Kit for Chatillon Force Gages
SPK-FG-MARK	Mounting Kit for Mark-10 Force Gages
SPK-FG-SHIM	Mounting Kit for Shimpo Force Gages
SPK-FG-IMAD	Mounting Kit for Imada Force Gages
SPK-FG-MECM	Mounting Kit for Mecmesin Force Gages

Please consult with your Starrett representative when ordering Force Gage Adapter Kits to ensure model compatibility.

### DIMENSIONS

