

# MTL-330 MANUAL TESTER

# Starrett®

## METROLOGY SOLUTIONS

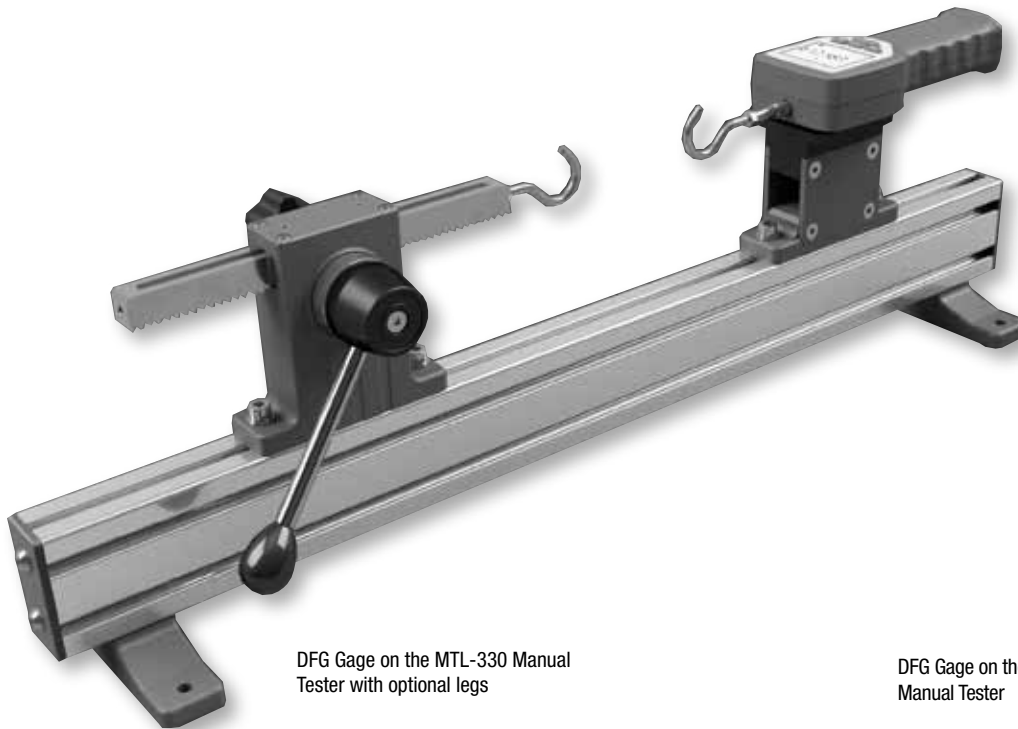
The MTL-330 can measure force up to 330lbf (1500N, 150kgf). This tester can be used for tensile and compression testing applications, and is ideal for spring testing. Fit the MTL-330 with a Starrett digital force gage and optional digital scale to determine spring rates, initial tension and more. The MTL-330 can be easily mounted to your workbench for secure testing.

Like the smaller MTL-110, the quick-action lever moves the rack and pinion crosshead 3" (76mm) per revolution. The lever may be positioned anywhere on the 30" (762mm) column, and with a 4" (102mm) throat, large samples can be accurately tested. Optional gage adapter kits are available for use with non-Starrett force gages.

The MTL may be equipped with optional legs so that you can test in a horizontal position.

### FEATURES

- Compact Design is Ideal for Lean Manufacturing Environments
- Lever-type, Quick-action Crosshead Movement
- Precision Rack and Pinion
- Excellent Position Resolution: Single Rotation for 3" (76mm)
- Adjustable Gage Mounting



DFG Gage on the MTL-330 Manual Tester with optional legs



DFG Gage on the MTL-330 Manual Tester

# MTL-330 MANUAL TESTER



## METROLOGY SOLUTIONS

### MTH - Manual Force Tester, Hand Wheel Control

Model Number	Load Capacity			Crosshead Travel		Resolution/Rotation		Throat		Weight		Thread
	N	KGF	LBF	in	mm	in	mm	in	mm	lbs	kgs	mm
MTL-330	1500	150	330	6	152	3	76	6	152	20	9.1	M6

### Optional Accessories

Order Number	Description
MLX-PLATE-TS-100	Compression Plate, Steel, 100mm diameter
MLX-HOOK-M	Hook Adapter, 330 lbf Load Capacity
SPK-CLEVIS-S	Clevis Set, Stainless Steel, 330lbf
MTL-SCALE	Digital Scale Assembly, MTL Series
MLX-26030	Mounting Legs, for horizontal testing
L1-Spanner	Spanner Wrench for Clevis Sets
MLX-PIN-S	Grip Pin, Stainless Steel

### Force Gage Adapter Kits

Order Number	Description
SPK-FG-CHAT	Mounting Kit for Chatillon Force Gages
SPK-FG-MARK	Mounting Kit for Mark-10 Force Gages
SPK-FG-SHIM	Mounting Kit for Shimpo Force Gages
SPK-FG-IMAD	Mounting Kit for Imada Force Gages
SPK-FG-MECM	Mounting Kit for Mecmesin Force Gages

Please consult with your Starrett representative when ordering Force Gage Adapter Kits to ensure model compatibility.

### DIMENSIONS

