

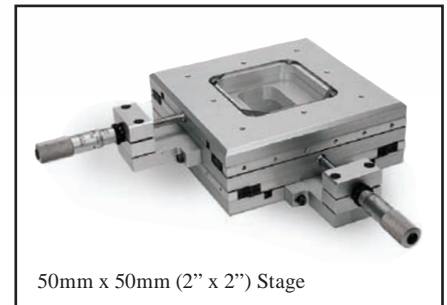
# TM Series X-Y Stages

## Adds X-Y Capabilities to Your Microscope

TM series X-Y stages are designed for use in a variety of applications such as measurement, microscopy, inspection, and automation. The TM stages are designed to adapt to existing microscopes from Nikon and Mitutoyo, and are available in manual and motorized configurations. Custom sizes and configurations are available.



200mm x 100mm  
(8" x 4") Stage



50mm x 50mm (2" x 2") Stage

### System Specifications

- Measurement Area (X-Y):  
**TM200:** 200mm x 100mm (8" x 4")  
**TM50:** 50mm x 50mm (2" x 2")
- Accuracy:  $E1=3.5+5L/1000$   
(with computer enhancement)
- Resolution:  
**TM200:** 0.5 $\mu$ m (20 $\mu$ in)  
**TM50:** 100 $\mu$ in
- X-Y Squareness: Within  
2.5 $\mu$ m/25mm (100 $\mu$ in/1")
- Top Tooling Plate Overall Size:  
**TM200:** 350mm x 200mm (14" x 8")  
**TM50:** 150mm x 150mm (6" x 6")
- Repeatability: within 2.5mm

### Features

- Manual Drives are hand wheels with leadscrews on the TM200 or 50mm (2") micrometer heads on the TM50
- Precision machined from heat treated, billet aluminum. Dark gray anodized finish
- Open frame standard, with removable stage glass
- Precision cross roller bearings
- Top plate has 4mm threaded holes for custom tooling

### Options

- Closed frame with solid top tooling plate
- High resolution encoders: 0.1 $\mu$ m (TM200 only)
- Step motor drive with joystick/trackball positioning control (TM200 only)
- 2" LCD micrometer heads or digital output encoder drives (TM50 only)
- 300mm x 450mm (12" x 17") granite base (TM200 only)
- Z-Axis with 150mm (6") travel mounts to granite base
- The TM200 is compatible with Nikon MM-40 or MM-60. The TM50 is compatible with Mitutoyo toolmakers stands

# Starrett®

Starrett Kinematic Engineering, Inc.  
+1-949-348-1213 • [www.StarrettKinematic.com](http://www.StarrettKinematic.com)

DS-3566 Bulletin No 953 3000/S 08/08 Specifications subject to change